

Cabinet U-Handles

Aluminum, Mounting from the Operator's Side

SPECIFICATION

Aluminum **AL**

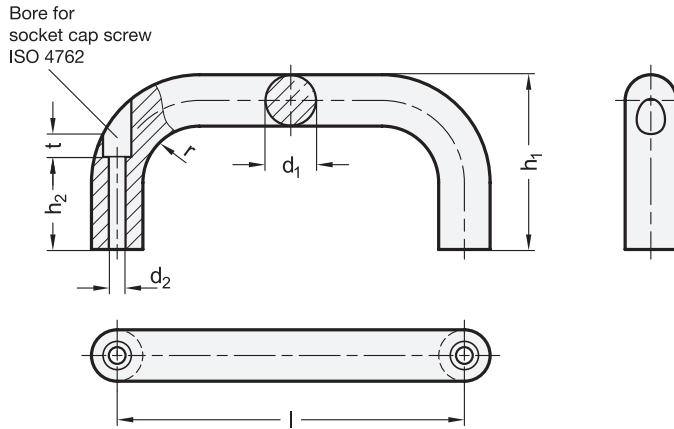
- Powder coated
Black, RAL 9005, textured finish **SW**
Silver, RAL 9006, textured finish **SR**
- Plain finish, tumbled **BL**

INFORMATION

Cabinet U-handles GN 426.2 are manufactured from a bent aluminum profile.

TECHNICAL INFORMATION

- Load Rating Information (see page A35)



* Complete with

SW
 SR
 BL
 RAL9005 RAL9006 Plain finish

GN 426.2

Description	d ₁	Length l	d ₂	h ₁ ≈	h ₂	r	t ≈	ΔΔ
GN 426.2-AL-20-200-*	20	200	6.5	68	36	22	9	230
GN 426.2-AL-20-250-*	20	250	6.5	68	36	22	9	272
GN 426.2-AL-20-300-*	20	300	6.5	68	36	22	9	315
GN 426.2-AL-20-350-*	20	350	6.5	68	36	22	9	357
GN 426.2-AL-28-250-*	28	250	9	78	34	32	11	531
GN 426.2-AL-28-300-*	28	300	9	78	34	32	11	614
GN 426.2-AL-28-350-*	28	350	9	78	34	32	11	697
GN 426.2-AL-28-400-*	28	400	9	78	34	32	11	780

Weight SW

